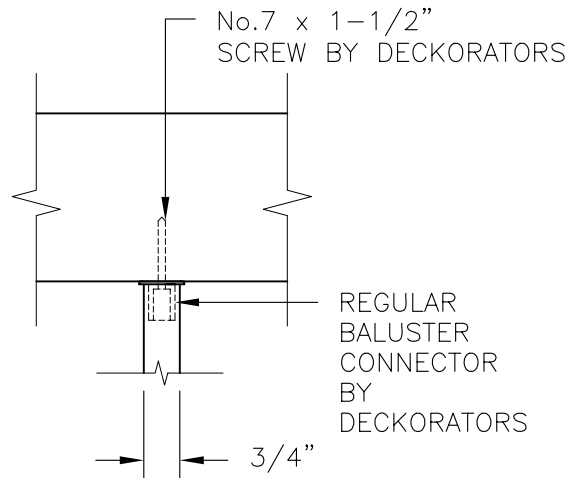
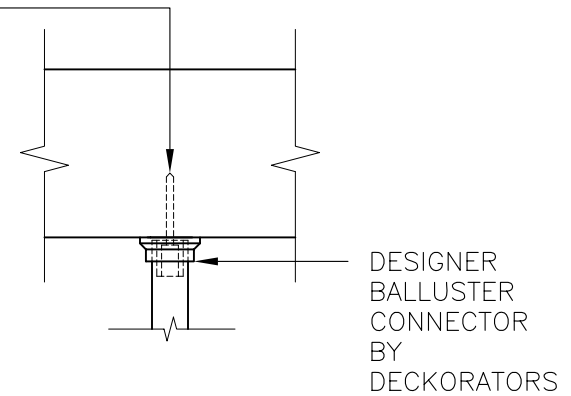


REGULAR BALLUSTER CONNECTOR



DESIGNER BALLUSTER CONNECTOR



**D**  
**S3** **BAROQUE, ARC OR TRADITIONAL CONNECTION**

**E**  
**S3** **COLONIAL, CLASSIC AND ESTATE CONNECTION**

METAL PICKETS MUST NOT BE IN DIRECT CONTACT WITH TREATED WOOD.

SCALE: 3" = 1'-0"		<b>QUAILE ENGINEERING LTD.</b>  38 Parkside Drive, UNIT 7 Newmarket, ON L3Y 8J9 T: 905-853-8547 F: 905-853-7682 E: quaile.eng@rogers.com	ENGINEER'S SEAL  S. J. BOYD JUNE 24, 2011	PROJECT: LIVOUTDOOR INTERNATIONAL RESIDENTIAL GUARD	
DATE: JULY 26, 2010			BALUSTER TO RAIL CONNECTION DETAILS		
DRAWN SJB	CHECKED SJB		PROJECT No.: 11-120	DRAWING No.: S3	

SEE NOTES ON DRAWING S6