

SCALE: 3" = 1'-0"	
DATE: JULY 26, 2010	
DRAWN SJB	CHECKED SJB

QUAILE ENGINEERING LTD.



38 Parkside Drive, UNIT 7
Newmarket, ON
L3Y 8J9
T: 905-853-8547
F: 905-853-7682
E: quaile.eng@rogers.com

ENGINEER'S SEAL



JUNE 24, 2011

PROJECT:

LIV OUTDOOR INTERNATIONAL
RESIDENTIAL GUARD

RAIL BRACKET
DETAIL

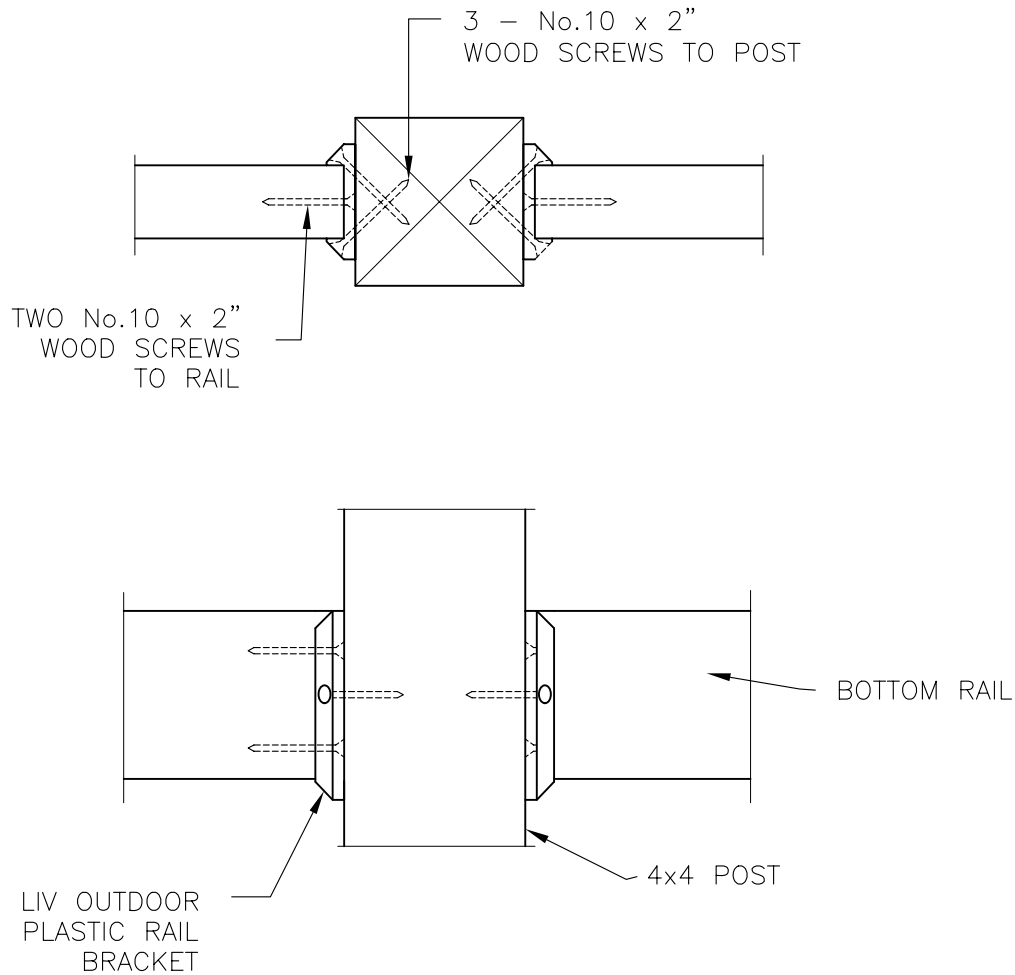
PROJECT No.:

11-120

DRAWING No.:

S4

SEE NOTES ON DRAWING S6



**LIV OUTDOOR RAIL BRACKET
DETAIL AT BOTTOM RAIL**

SCALE: 3" = 1'-0"	
DATE: JULY 26, 2010	
DRAWN SJB	CHECKED SJB

QUAILE ENGINEERING LTD.



38 Parkside Drive, UNIT 7
Newmarket, ON
L3Y 8J9
T: 905-853-8547
F: 905-853-7682
E: quaille.eng@rogers.com

ENGINEER'S SEAL



JUNE 24, 2011

PROJECT:

LIV OUTDOOR INTERNATIONAL
RESIDENTIAL GUARD

RAIL BRACKET
DETAIL AT BOTTOM RAIL

PROJECT No.:

11-120

DRAWING No.:

S4A

SEE NOTES ON DRAWING S6