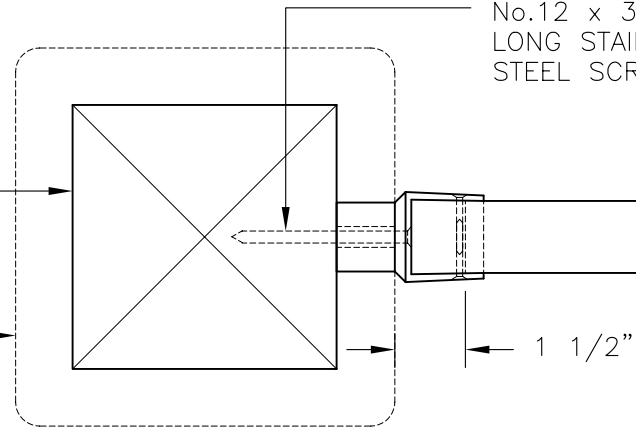


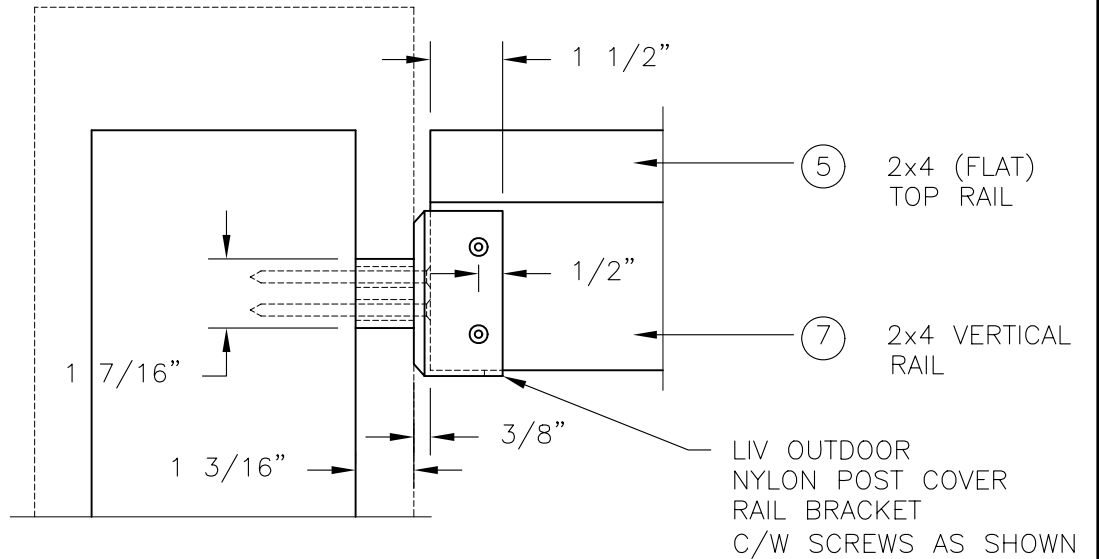
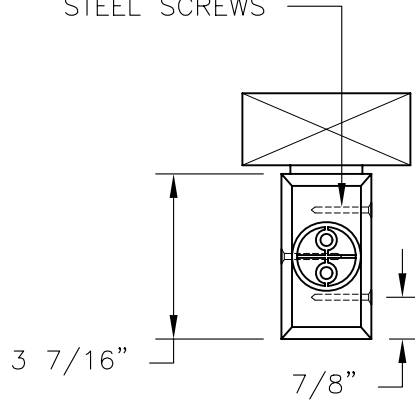
NOTE:
 MAX POST SPACING = 6'-0"
 MAX HOR RAIL LIVE LOAD = 1.0 kN (225 lb)
 MAX VERT RAIL LIVE LOAD = 1.5 kN/m (100 plf)

6x6 SPF PT POST (3)
 LIV OUTDOOR
 HDPE DECORATIVE
 COVER (NON-STRUCTURAL)

No.12 x 3-3/4"
 LONG STAINLESS
 STEEL SCREWS



No.8 x 1-1/4"
 LONG STAINLESS
 STEEL SCREWS



U
S13 RAIL CONNECTION WITH
 DECORATIVE POST COVER

SEE NOTES ON DRAWING S6

SCALE: 3" = 1'-0"	
DATE: JULY 26, 2010	
DRAWN SJB	CHECKED SJB

QUAILE ENGINEERING LTD.



38 Parkside Drive, UNIT 7
 Newmarket, ON
 L3Y 8J9
 T: 905-853-8547
 F: 905-853-7682
 E: quaile.eng@rogers.com

ENGINEER'S SEAL



JUNE 24, 2011

PROJECT:

LIV OUTDOOR INTERNATIONAL
 RESIDENTIAL GUARD

RAIL CONNECTION WITH
 DECORATIVE POST COVER

PROJECT No.:
 11-120

DRAWING No.:
 S13