

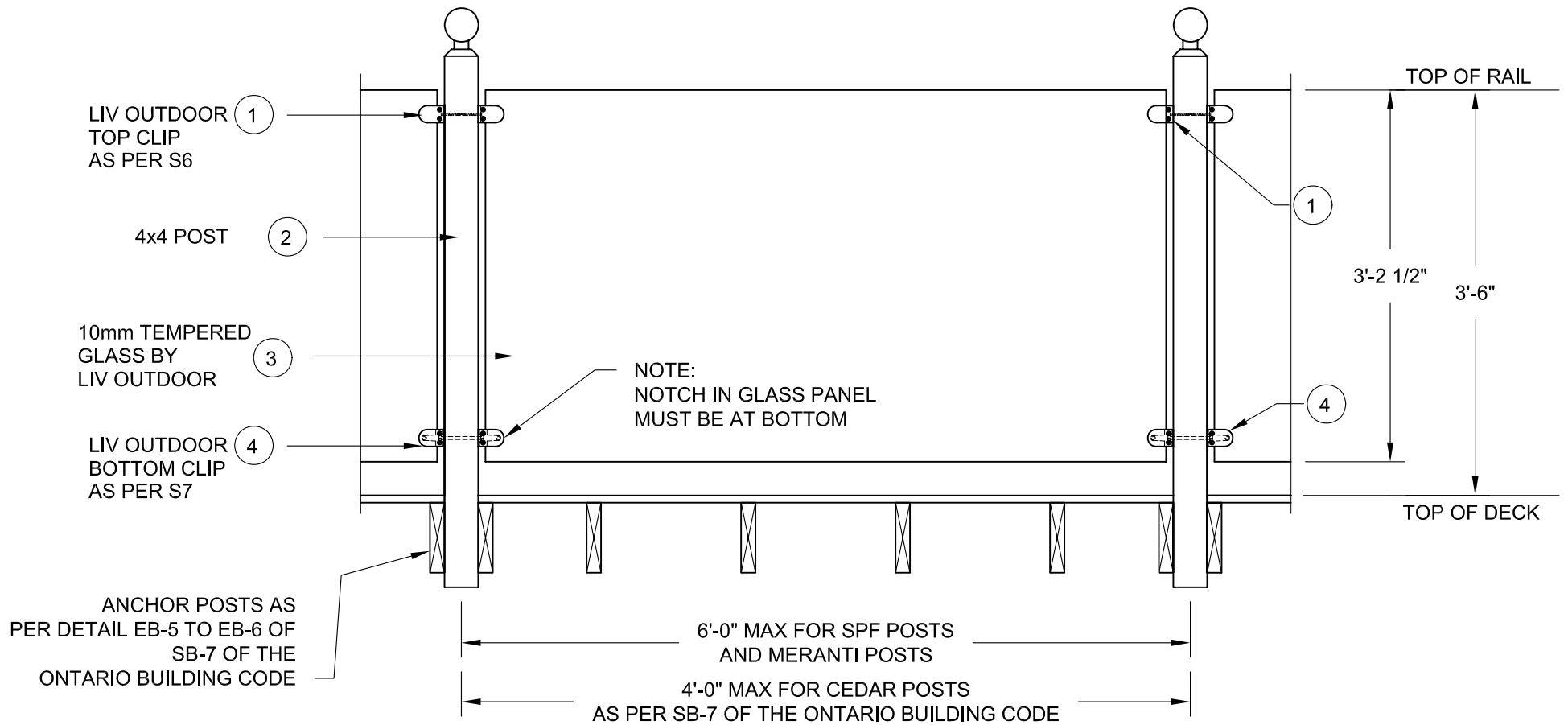
GENERAL NOTES:

1. DESIGN OF THE GUARD IS IN ACCORDANCE WITH SECTION 9.8.8.2 OF THE 2006 OBC AND 2010 NBCC, AND SB-7 OF THE ONTARIO BUILDING CODE.
2. GLASS PANELS HAVE BEEN DESIGNED FOR A 113 LB (0.5 kN) HORIZONTAL CONCENTRATED LOAD AT ANY POINT.
3. A UNIFORM VERTICAL LOAD OF OF 100 PLF (1.5 kN/m) HAS BEEN APPLIED TO THE TOP OF THE GUARD.
4. THE FOLLOWING HORIZONTAL LOADS HAVE BEEN APPLIED TO THE TOP OF THE GUARD:
 - (i) 0.5 kN/m (34 lb/ft) UNIFORM LOAD
 - OR
 - (ii) 1.0 kN (225 lb) CONCENTRATED LOAD AT ANY POINT, WHICHEVER GOVERNS.
5. THESE DETAILS ARE FOR USE IN HOUSES AND SMALL BUILDINGS CONFORMING TO THE REQUIREMENTS OF PART 9 OF THE 2006 ONTARIO BUILDING CODE AND THE 2010 NATIONAL BUILDNG CODE. THESE DETAILS ARE FOR GUARDS NOT SERVING NOT MORE THAN TWO DWELLING UNITS.
6. DESIGN IS VALID UNTIL DECEMBER 31, 2012.

COMPONENTS

- ① LIV OUTDOOR TOP CLIPS.
- ② 4x4 POST ANCHORED TO FLOOR STRUCTURE IN ACCORDANCE WITH DETAIL EB-5 TO EB-6 OF SB-7 OF THE ONTARIO BUILDING CODE. POSTS SHALL BE NO.2 OR BETTER SPF PRESSURE TREATED WITH A WATER-BORNE PRESERVATIVE, UNTREATED NO.2 OR BETTER CEDAR, OR CLEAR STRAIGHT-GRAINED DARK RED MERANTI.
- ③ 10mm TEMPERED GLASS IN ACCORDANCE WITH CAN/CGSB-12.1-M WITH NOTCH FOR BOTTOM CLIP BY LIV OUTDOOR.
- ④ LIV OUTDOOR BOTTOM CLIPS.
- ⑤ 6x6 NO.1 OR BETTER CEDAR POST ANCHORED TO FLOOR STRUCTURE AS PER DWG S10.

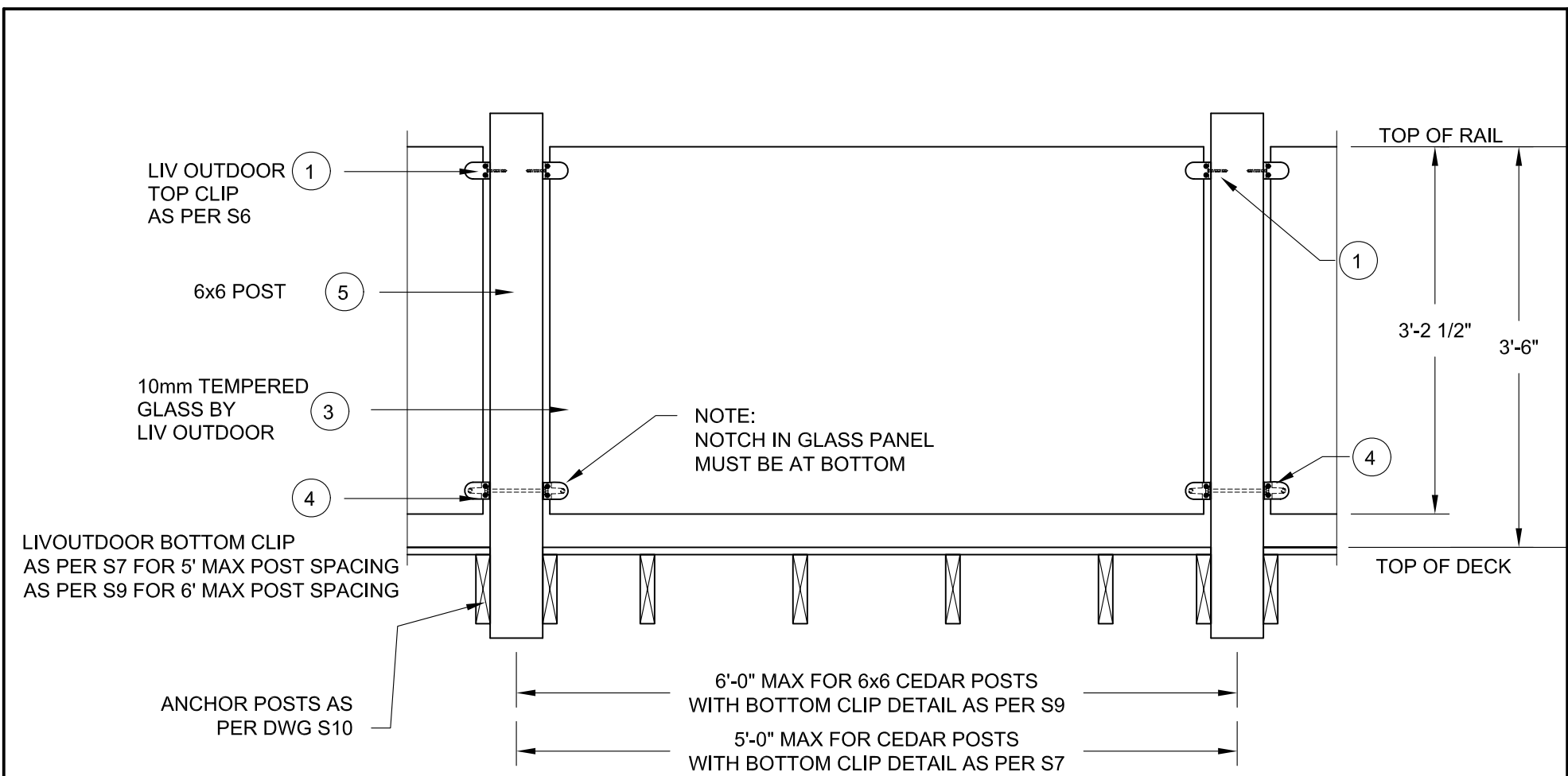
SCALE: NTS		 <p>QUAILE ENGINEERING LTD.</p> <p>38 Parkside Drive, UNIT 7 Newmarket, ON L3Y 8J9 T: 905-853-8547 F: 905-853-7682 E: quaile.eng@rogers.com</p>	 <p>ENGINEER'S SEAL S. J. BOYD PROVINCE OF ONTARIO JUNE 26, 2011</p>	PROJECT: LIVOUTDOOR INTERNATIONAL RESIDENTIAL GLASS GUARD	
DATE: JUNE 17, 2011			GENERAL NOTES		
DRAWN SJB	CHECKED SJB		PROJECT No.: 10-201	DRAWING No.: S1	





1
S2 42" GUARD w/
4x4 POSTS

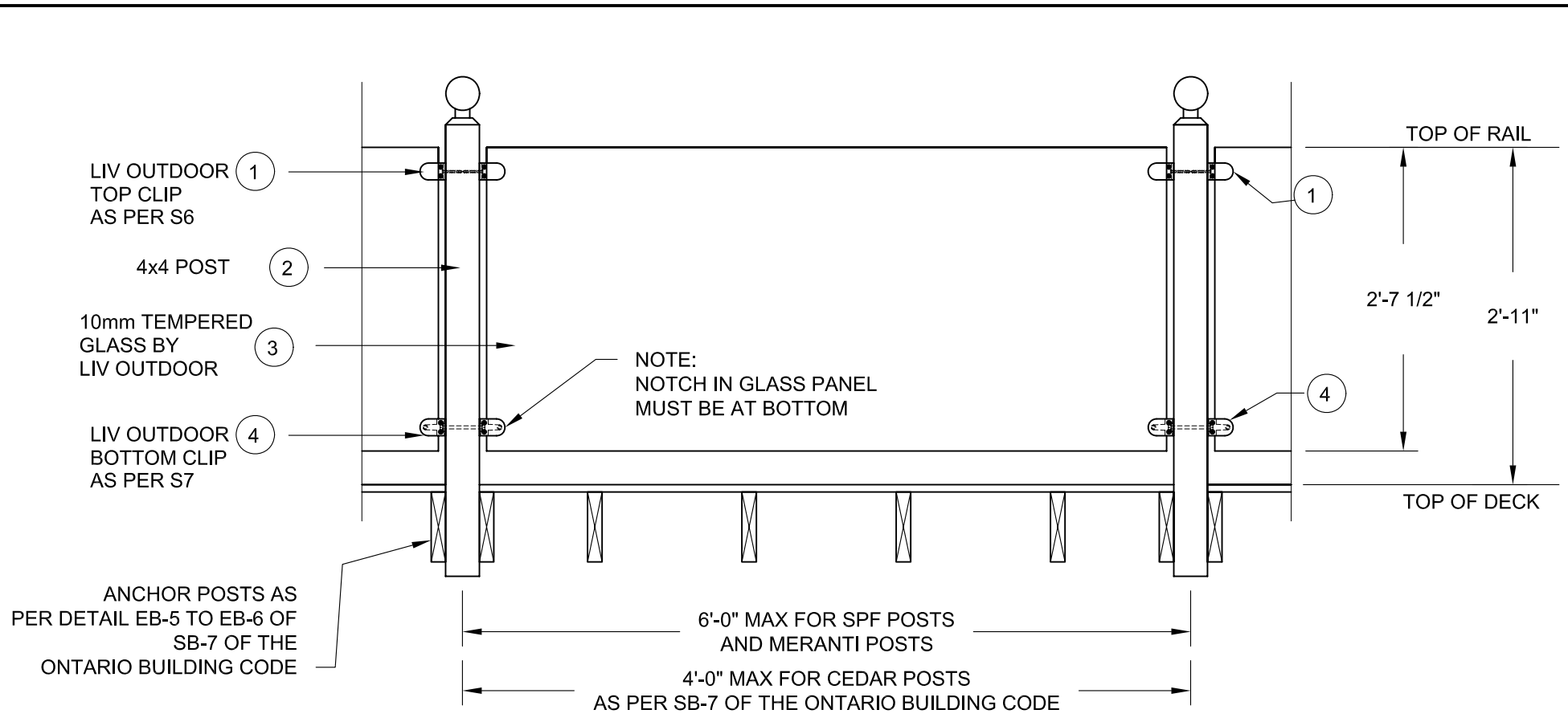
SCALE: 3/4" = 1'-0"		QUAILE ENGINEERING LTD.  38 Parkside Drive, UNIT 7 Newmarket, ON L3Y 8J9 T: 905-853-8547 F: 905-853-7682 E: quaile.eng@rogers.com	ENGINEER'S SEAL  S. J. BOYD PROVINCE OF ONTARIO JUNE 26, 2011	PROJECT: LIV OUTDOOR INTERNATIONAL RESIDENTIAL GUARD 42" GUARD WITH 4x4 POSTS
DATE: JUNE 17, 2011			PROJECT No.:	DRAWING No.:
DRAWN SJB	CHECKED SJB		10-201	S2

SEE NOTES ON DRAWING S1



1
S3 42" GUARD w/
6x6 POSTS

SEE NOTES ON DRAWING S1	SCALE: 3/4" - 1'-0"		QUAILE ENGINEERING LTD.  38 Parkside Drive, UNIT 7 Newmarket, ON L3Y 8J9 T: 905-853-8547 F: 905-853-7682 E: quaile.eng@rogers.com	ENGINEER'S SEAL  S. J. BOYD JUNE 26, 2011	PROJECT: LIV OUTDOOR INTERNATIONAL RESIDENTIAL GLASS GUARD	
	DATE: JUNE 16, 2011				42" GUARD WITH 6x6 CEDAR POSTS	
	DRAWN SJB	CHECKED SJB			PROJECT No.: 10-201	DRAWING No.: S3




1
S4 35" GUARD w/
4x4 POSTS

IMPORTANT NOTE:
THE 2'-11 GUARD MAY ONLY BE USED FOR DECKS SERVING ONE DWELLING UNIT AND WHERE THE TOP OF THE DECK IS NOT MORE THAN 5'-11" ABOVE GROUND LEVEL.

SEE NOTES ON DRAWING S1

SCALE: 3/4" = 1'-0"	
DATE: JUNE 16, 2011	
DRAWN SJB	CHECKED SJB

QUAILE ENGINEERING LTD.



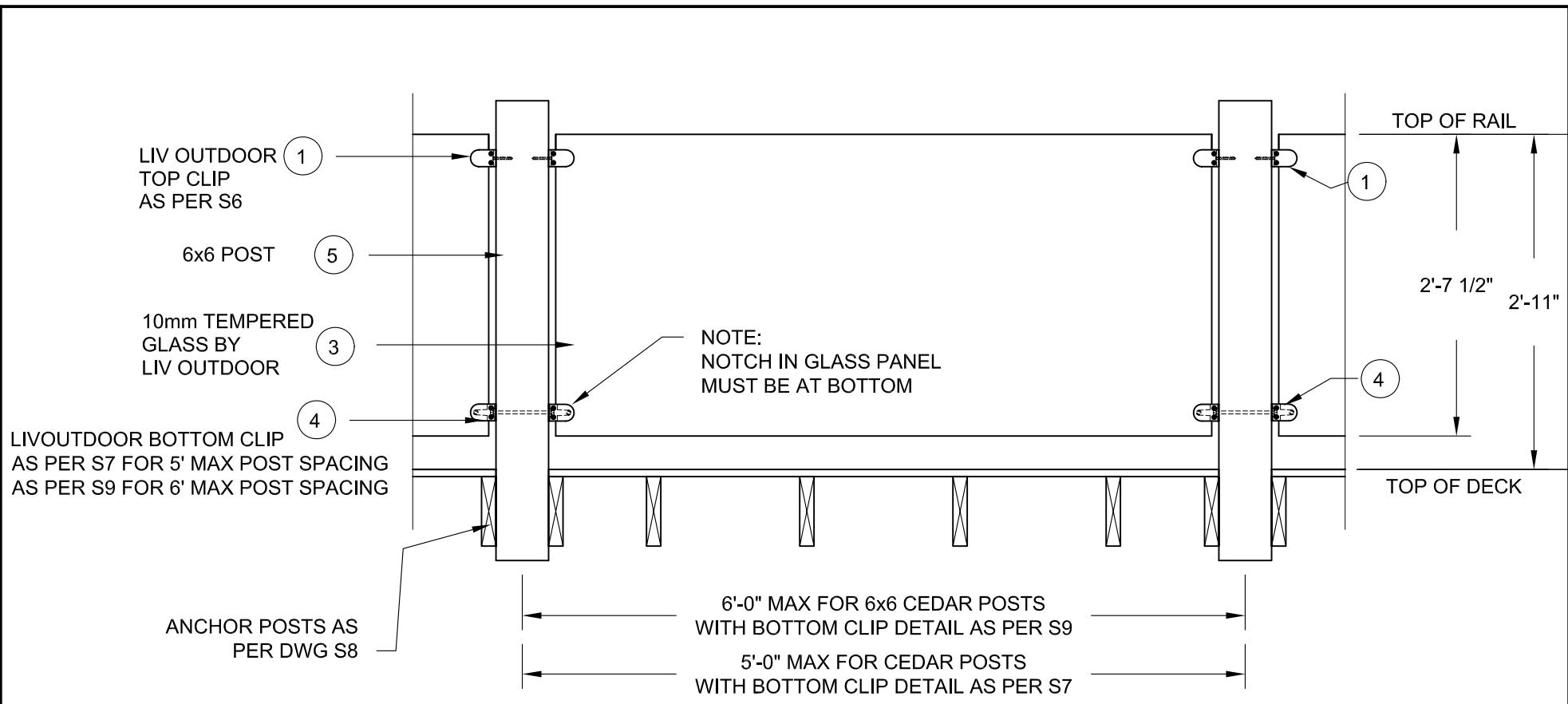
38 Parkside Drive, UNIT 7
Newmarket, ON
L3Y 8J9
T: 905-853-8547
F: 905-853-7682
E: quaile.eng@rogers.com

ENGINEER'S SEAL



S. J. BOYD
JUNE 26, 2011

PROJECT: LIV OUTDOOR INTERNATIONAL RESIDENTIAL GLASS GUARD	
35" GUARD WITH 4x4 POSTS	
PROJECT No.:	DRAWING No.:
10-201	S4



1 / S5 35" GUARD w/
6x6 POSTS

IMPORTANT NOTE:
THE 2'-11" GUARD MAY ONLY BE USED FOR DECKS SERVING ONE DWELLING UNIT AND WHERE THE TOP OF THE DECK IS NOT MORE THAN 5'-11" ABOVE GROUND LEVEL.


SEE NOTES ON DRAWING S1

SCALE:
3/4" = 1'-0"

DATE:
JUNE 16, 2011

DRAWN SJB	CHECKED SJB
--------------	----------------

QUAILE ENGINEERING LTD.



38 Parkside Drive, UNIT 7
Newmarket, ON
L3Y 8J9
T: 905-853-8547
F: 905-853-7682
E: quaile.eng@rogers.com

ENGINEER'S SEAL

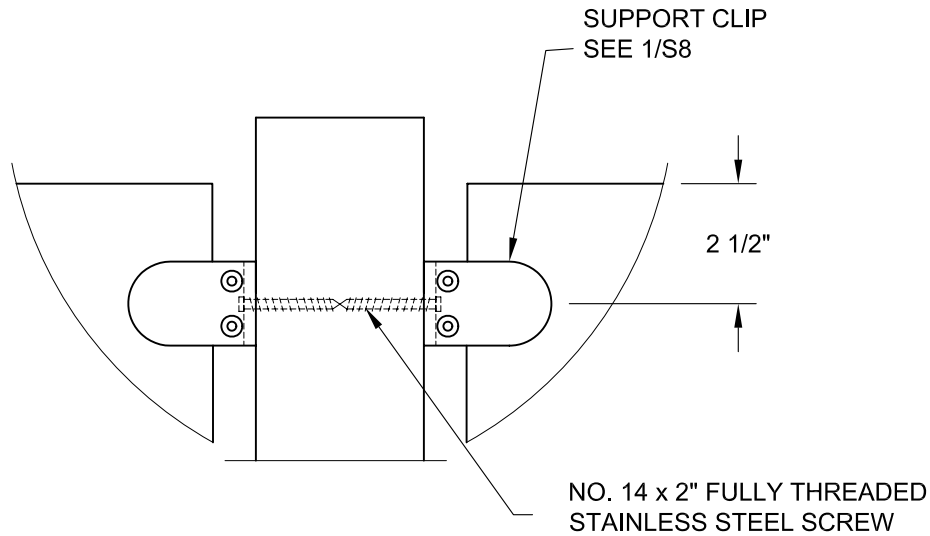


JUNE 26, 2011

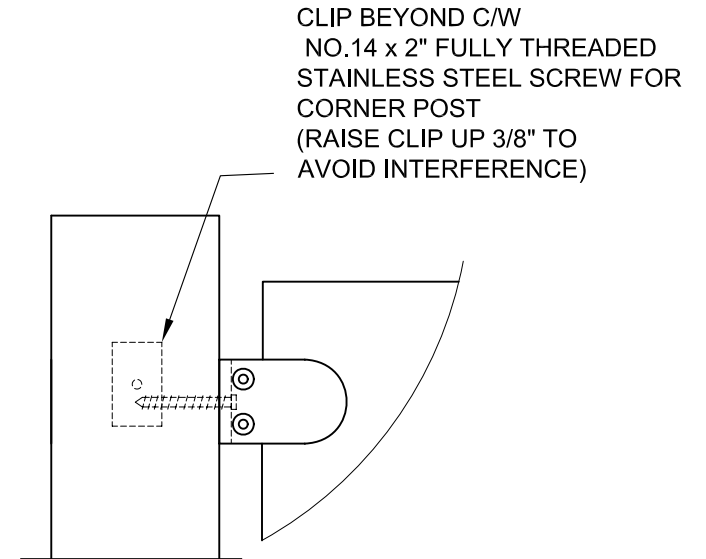
PROJECT:
LIV OUTDOOR INTERNATIONAL
RESIDENTIAL GLASS GUARD

35" GUARD WITH 6x6 CEDAR
POSTS



PROJECT No.:	DRAWING No.:
10-201	S5



1
S6 TOP CLIP - INTERMEDIATE POST



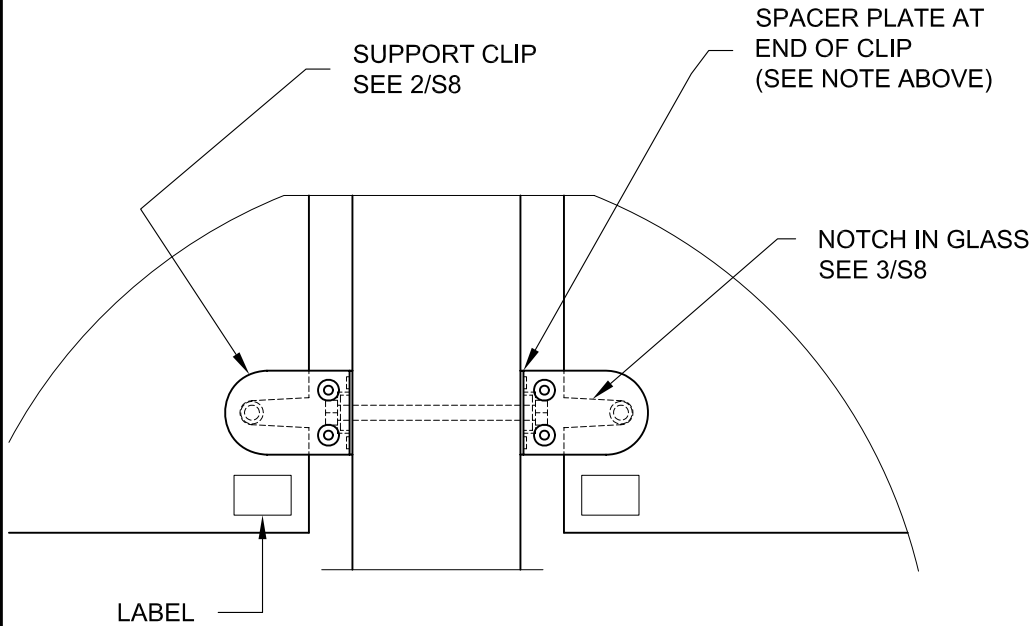
2
S6 TOP CLIP - END / CORNER POST

SEE NOTES ON DRAWING S1	SCALE: 3" = 1'-0"		QUAILE ENGINEERING LTD. 	ENGINEER'S SEAL 	PROJECT: LIV OUTDOOR INTERNATIONAL RESIDENTIAL GLASS GUARD	
	DATE: JUNE 16, 2011				TOP CLIP DETAILS	
	DRAWN SJB	CHECKED SJB			38 Parkside Drive, UNIT 7 Newmarket, ON L3Y 8J9 T: 905-853-8547 F: 905-853-7682 E: quaile.eng@rogers.com	PROJECT No.: 10-201

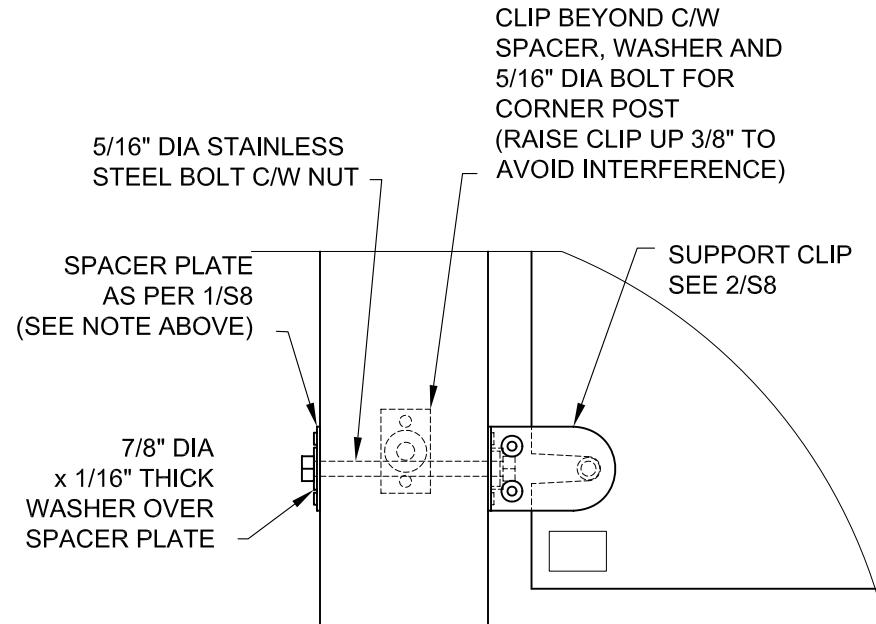
NOTE:

SPACER PLATES MAY BE OMITTED FOR THE FOLLOWING:

- SPF AND CEDAR POSTS SPACED UP TO 4'-0" O/C
- MERANTI POSTS SPACED UP TO 6'-0" O/C



1
S7 BOTTOM CLIP - INTERMEDIATE POST



2
S7 BOTTOM CLIP - END / CORNER POST

SEE NOTES ON DRAWING S1

SCALE:
3" = 1'-0"

DATE:
JUNE 16, 2011

DRAWN	CHECKED
SJB	SJB

QUAILE ENGINEERING LTD.



38 Parkside Drive, UNIT 7
Newmarket, ON
L3Y 8J9
T: 905-853-8547
F: 905-853-7682
E: quaile.eng@rogers.com

ENGINEER'S SEAL



JUNE 26, 2011

PROJECT:

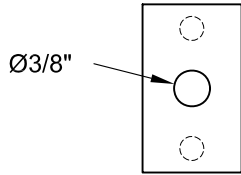
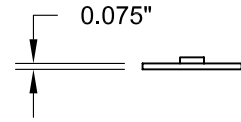
LIV OUTDOOR INTERNATIONAL
RESIDENTIAL GLASS GUARD

BOTTOM CLIP DETAILS

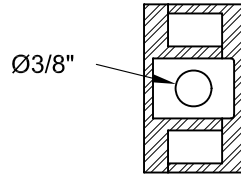
PROJECT No.:
10-201

DRAWING No.:
S7

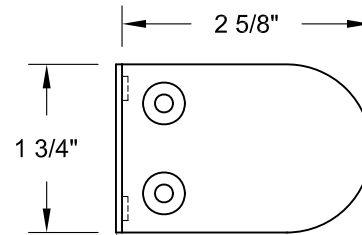
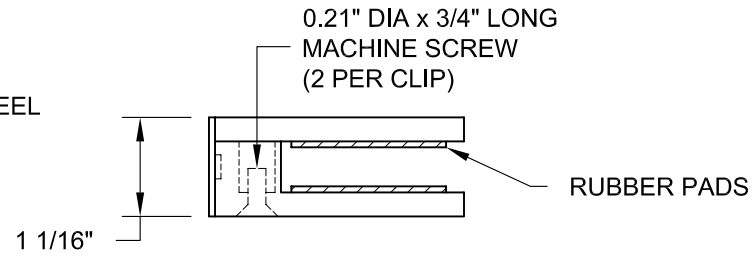
NOTE: ALL STEEL TO BE STAINLESS STEEL



SPACER PLATE

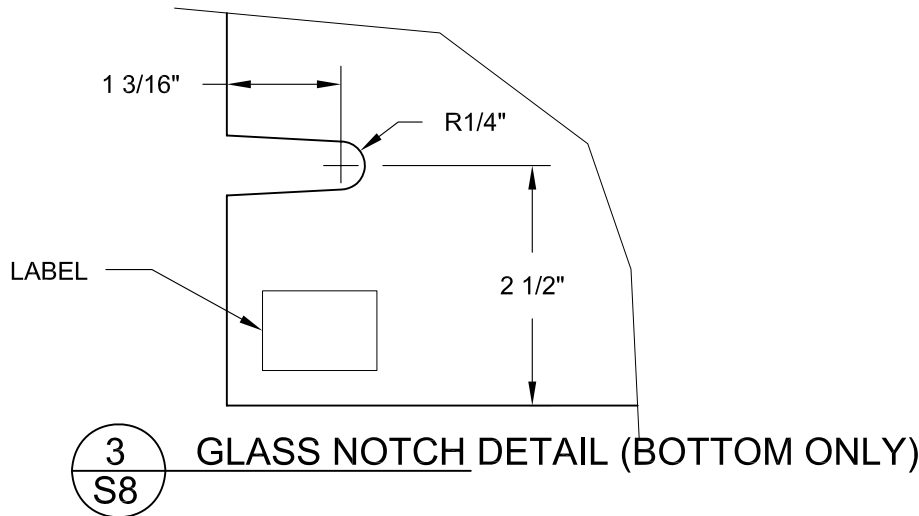


END VIEW OF CLIP

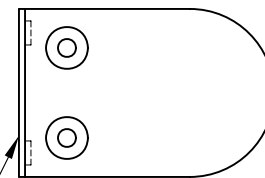
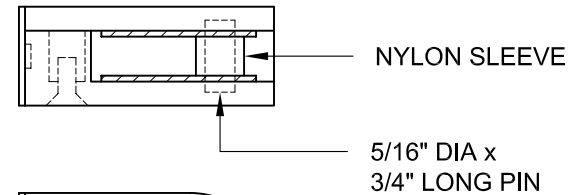


SPACER PLATE WHERE SPECIFIED

1 TOP CLIP
S8



3 GLASS NOTCH DETAIL (BOTTOM ONLY)
S8



SPACER PLATE
SEE 1/S6

2 BOTTOM CLIP
S8

NOTE: BOTTOM CLIP IS THE SAME AS THE TOP CLIP EXCEPT FOR PIN AND SLEEVE AS SHOWN

SCALE: 1" = 2"	
DATE: JUNE 16, 2011	
DRAWN SJB	CHECKED SJB

QUAILE ENGINEERING LTD.



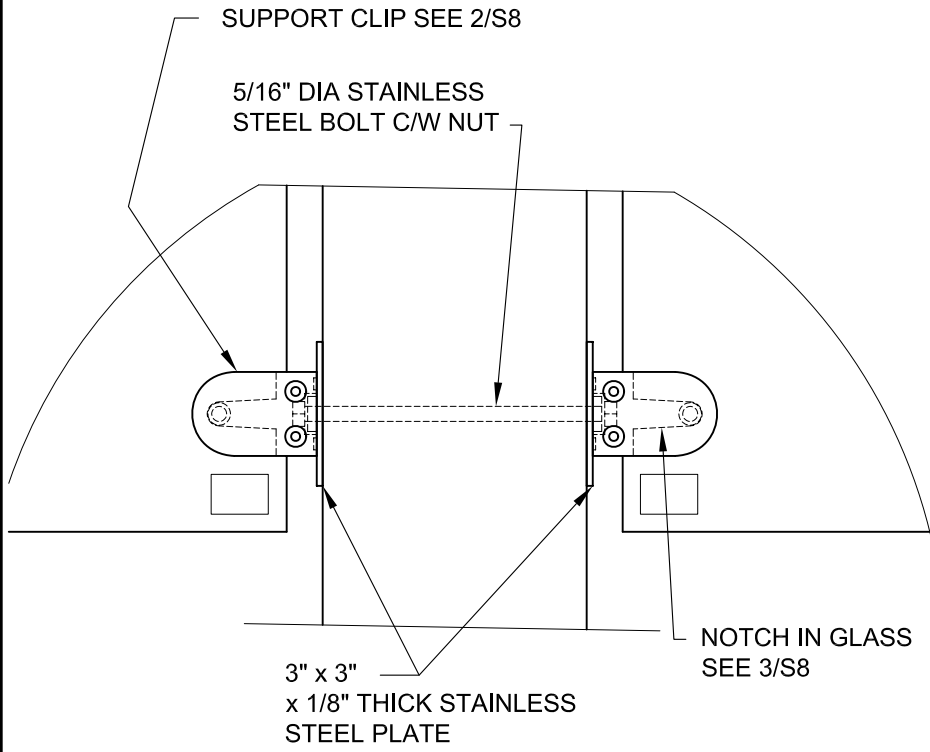
38 Parkside Drive, UNIT 7
Newmarket, ON
L3Y 8J9
T: 905-853-8547
F: 905-853-7682
E: quaile.eng@rogers.com

ENGINEER'S SEAL

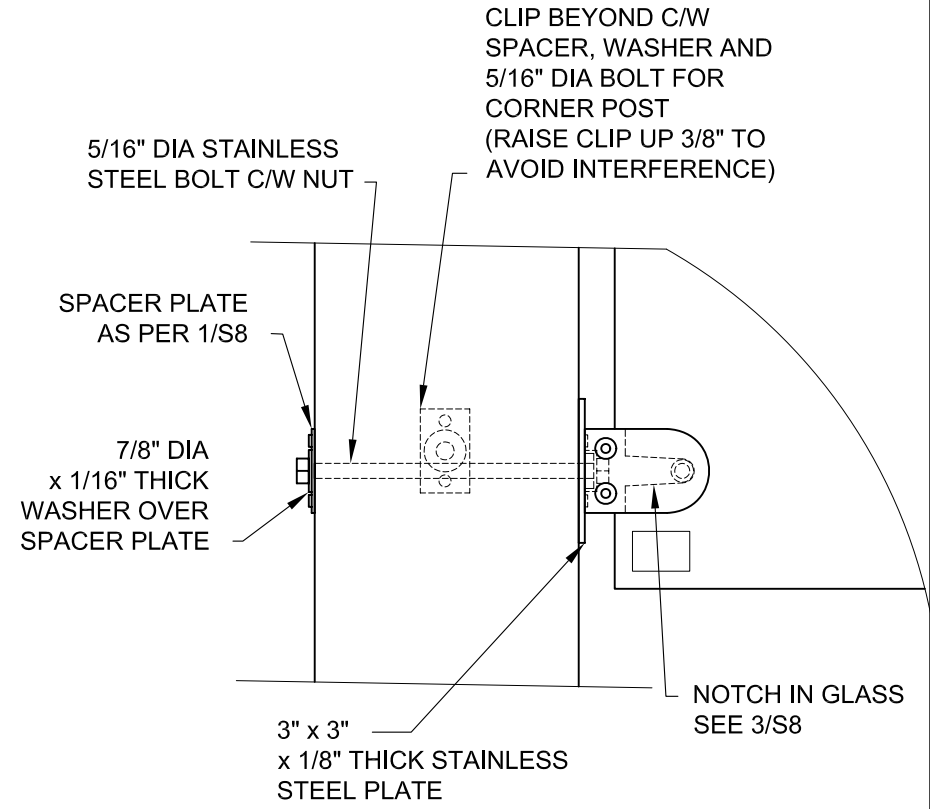
 S. J. BOYD
 PROVINCE OF ONTARIO
 JUNE 26, 2011

PROJECT: LIV OUTDOOR INTERNATIONAL RESIDENTIAL GLASS GUARD	
SUPPORT CLIP AND GLASS NOTCH DETAILS	
PROJECT No.:	DRAWING No.:
10-201	S8



SEE NOTES ON DRAWING S1

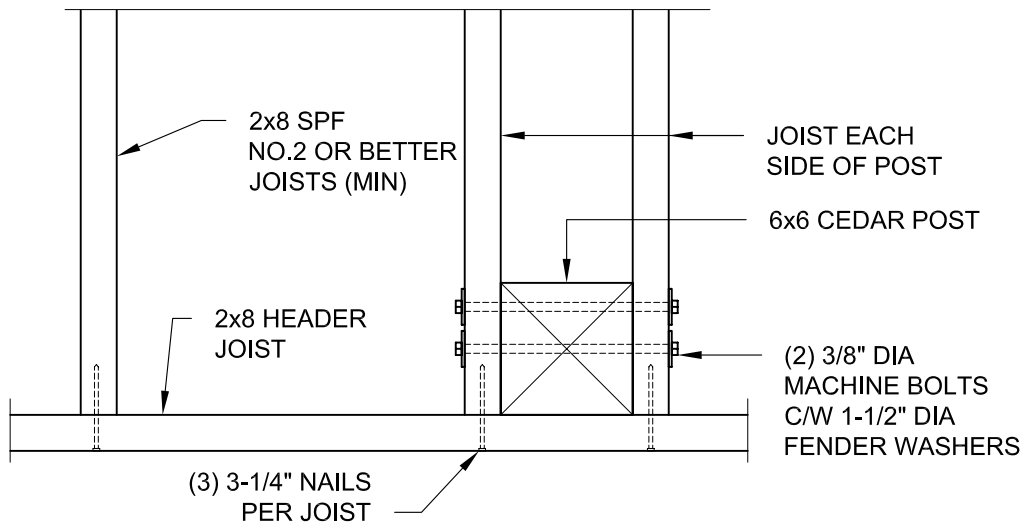


1
S9 **BOTTOM CLIP - INTERMEDIATE POST**

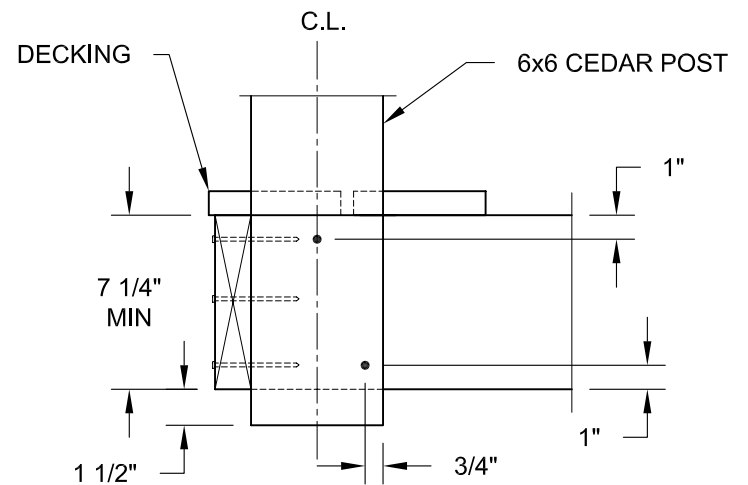


2
S9 **BOTTOM CLIP - CORNER POST**

SEE NOTES ON DRAWING S1	SCALE: 3" = 1'-0"		QUAILE ENGINEERING LTD. 	ENGINEER'S SEAL  S. J. BOYD LICENSED PROFESSIONAL ENGINEER PROVINCE OF ONTARIO JUNE 26, 2011	PROJECT: LIV OUTDOOR INTERNATIONAL RESIDENTIAL GLASS GUARD	
	DATE: JUNE 16, 2011				BOTTOM CLIP DETAILS FOR 6x6 CEDAR POSTS AT 6' O/C	
	DRAWN SJB	CHECKED SJB			PROJECT No.: 10-201	DRAWING No.: S9



PLAN VIEW





SECTION

1
S10 **6x6 CEDAR POST TO JOIST CONNECTION**
1-1/2" = 1'-0"

NOTE:

1. FASTENERS TO HAVE A CORROSION RESISTANT COATING AS PER SB-7 OF THE ONTARIO BUILDING CODE, OR SHALL BE STAINLESS STEEL.
2. THIS DETAIL IS ADAPTED FROM DETAIL EB-5 OF SB-7 OF THE ONTARIO BUILDING CODE AND EVALUATED FOR 6x6 CEDAR POSTS SPACED UP TO 6' O/C

SEE NOTES ON DRAWING S1	SCALE: AS NOTED		QUAILE ENGINEERING LTD.  38 Parkside Drive, UNIT 7 Newmarket, ON L3Y 8J9 T: 905-853-8547 F: 905-853-7682 E: quaile.eng@rogers.com	ENGINEER'S SEAL  S. J. BOYD JUNE 26, 2011	PROJECT: LIV OUTDOOR INTERNATIONAL RESIDENTIAL GLASS GUARD	
	DATE: JUNE 16, 2011				6x6 POST ANCHORAGE DETAIL	
	DRAWN SJB	CHECKED SJB			PROJECT No.: 10-201	DRAWING No.: S10